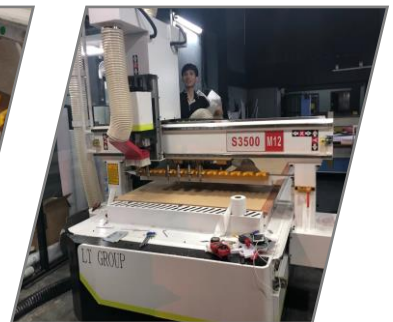
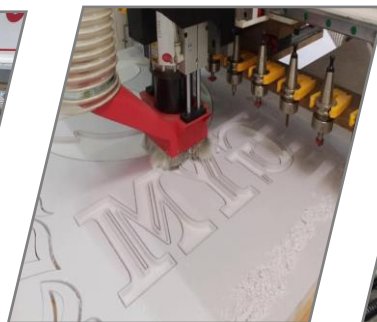


CNC ROUTER MACHINE LT-1325



1. Advertising industry: Acrylic, two-color board, PVC, ABS board, aluminum-plastic board engraving and cutting, all kinds of signs, badges, signage, copper, fonts, all kinds of signs, trademarks and other materials.
2. Crafts industry: artificial stone crafts, souvenirs on the various types of text, graphics.
3. Mold processing: architectural model, physical model, bronzing mold, high frequency mode, micro injection mold, shoe mold, badge, embossing mold, biscuit, chocolate, candy mold.
4. Seal industry: Easily engraving
5. Mold industry: can engrave different molds, wood molds, aviation wood molds, propellers, automotive foam molds and so on.





Tool Changer

Servo system:

Stable performance, high speed, high efficiency, widely used in CNC routers.



Spindle motor:

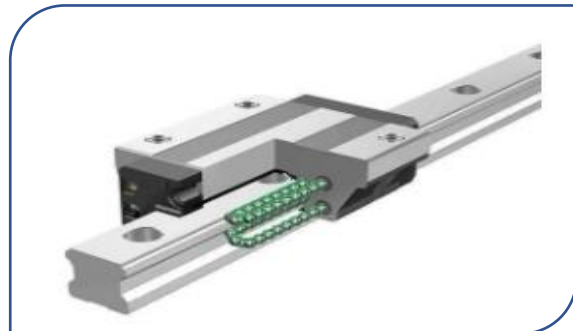
4.5kw Air cooling spindle motor, 18000rpm / min, high speed, high efficiency.

Linear rail:

country: Japan

Brand: THK

The best linear rail in the industry, can use 10 years without problem.



System

PARAMETERS

Model	ELECNC-1325ATC
X,Y,Z working area	1300*2500*200 mm
Table surface	T-slot and vacuum and auto loading table
Frame	New type heavy duty body
X,Y structure	Helical rack gear for X,Y axis
Z structure	Taiwan TBI ball screw for Z axis
Spindle power	9KW HQD ATC air cooling spindle
Spindle speed	0-24000RPM
Drive motors	1300W Leadshine servo motor driver
Inverter	11KW inverter
Working voltage	380V/3HP/50Hz
Control system	Taiwan LNC controller
Vacuum pump	7.5 Kw
Positioning cylinder	5 pieces
Tool Magazine	12 pcs linear tool change

Can cut, grooved, plaswood, MDF, acrylic, aluminum, plastic , Wood, marble, tile etc.





Contacts



LT INDUSTRIAL GROUP CO.,LTD.

จำหน่ายโดย : บริษัท แอลที อินดัสเทรียล กรุ๊ป จำกัด

Call: (+66) 093-7262495 (HOTLINE)

Call: (+66) 099-1283030 (HOTLINE)

Web: WWW.LTINDUSTRIALGROUP.COM

E-mail : LTINDUSTRIALGROUP.COM

