

# DH-HAC-HDW1000M

---

1Megapixel 720P Water-proof HDCVIIR EyeballCamera



## Features

- 1/4" 1Megapixel CMOS
- 25/30fps@720P
- High speed, long distance real-time transmission
- HD and SD switchable
- OSD Menu, control over coaxial cable
- DWDR, Day/Night(ICR), AWB, AGC, BLC2DNR
- 3.6mm fixed lens (2.8mm optional)
- Max. IRLEDs length 30m, Smart IR
- IP67, DC12V

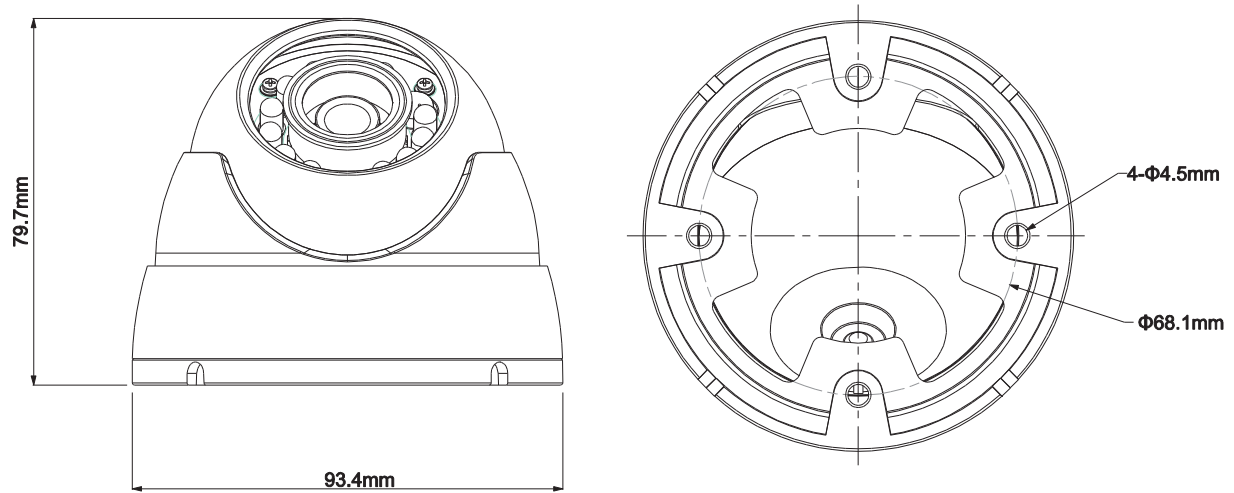
# DH-HAC-HDW1000M

## Technical Specifications

Model	DH-HAC-HDW1000MP	DH-HAC-HDW1000MN
Camera		
Image Sensor	1/4" 1Mega pixel CMOS	
Effective Pixels	1280(H)×720(V)	
Electronic Shutter	1/50s~1/100,000s	1/60s~1/100,000s
Video Frame Rate	25fps@720P	30fps@720P
Synchronization	Internal	
Min. Illumination	0.05Lux/F2.0, 0Lux IR on	
Video Output	1-channel BNC high definition video output/ CVBS standard definition video output (Can switch )	
Camera Features		
Max. IR LEDs Length	30m, Smart IR	
Day/Night	Auto(ICR)/Color/B/W	
Backlight Compensation	DWDR	
Noise Reduction	2D	
OSD Menu	Support	
Lens		
Focal Length	3.6mm (2.8mm optional)	
Angle of View	H: 60° (83.4°)	
Mount Type	M12	
General		
Power Supply	DC12V± 25%	
Power Consumption	Max 2.8W	
Working Environment	-40°C~+60°C / Less than 95% RH (no condensation)	
Transmission Distance	Over 800m via 75 -3 coaxial cable	
Ingress Protection	IP67	
Dimensions	Φ93.4mm×79.7mm	
Weight	0.33kg	
Material	Metal	

# DH-HAC-HDW1000M

## Dimensions (mm)



## Accessories (optional )

		
PFA13A	PFB204W	PFA152



**Computer Peripheral  
and Supplies Ltd.**

244 Soi Pattanakarn 53, Suanluang, Suanluang, Bangkok 10250 Thailand  
Tel : (66) 0-2322-9535, 0-2722-4040 Fax : (66) 0-2322-7990  
www.cps.co.th • www.facebook.com/cps.co.th

