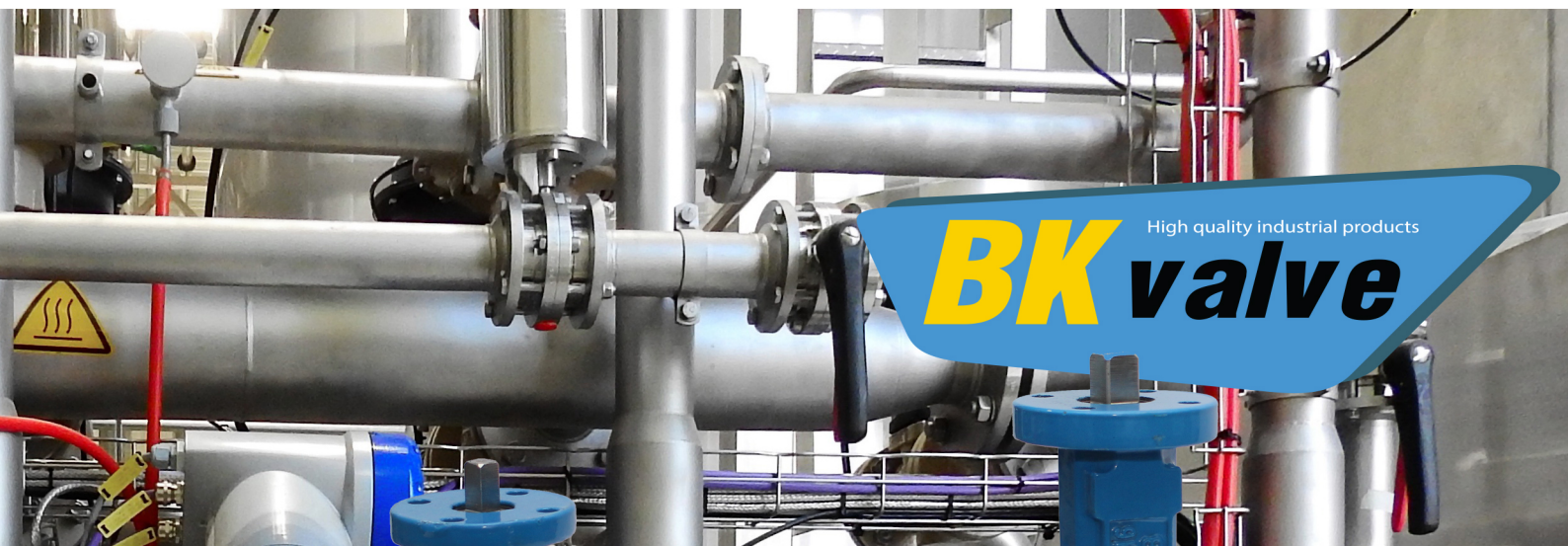


BUTTERFLY VALVES



**Cast Iron Wafer type
DN40-DN600 Direct mount ISO
5211**



Cast Iron Butterfly Valves are ideal for use in Industrial (Agro & Food Industry) (Agribusiness) (Food & Beverage) (Automotive) (Industrial Materials & Machine) (Packaging) (Property & Construction) (Construction Materials) (Energy & Utilities) (Mining) (Electronic Components). Designed to be economical yet full featured.

STANDARD MATERIALS

Body Cast Iron, QT450/HT200 + EPXXY COATING
Disc Stainless Steel 316 ,CF8M
Shaft Stainless Steel, ASTM A276, Type 416
Seat Black EPDM
Long Bushings PTFE
Stem Seal EPDM
Ring EPDM
O-ring EPDM
Taper Pin Stainless Steel 316 ,CF8M
Short Bushings PTFE

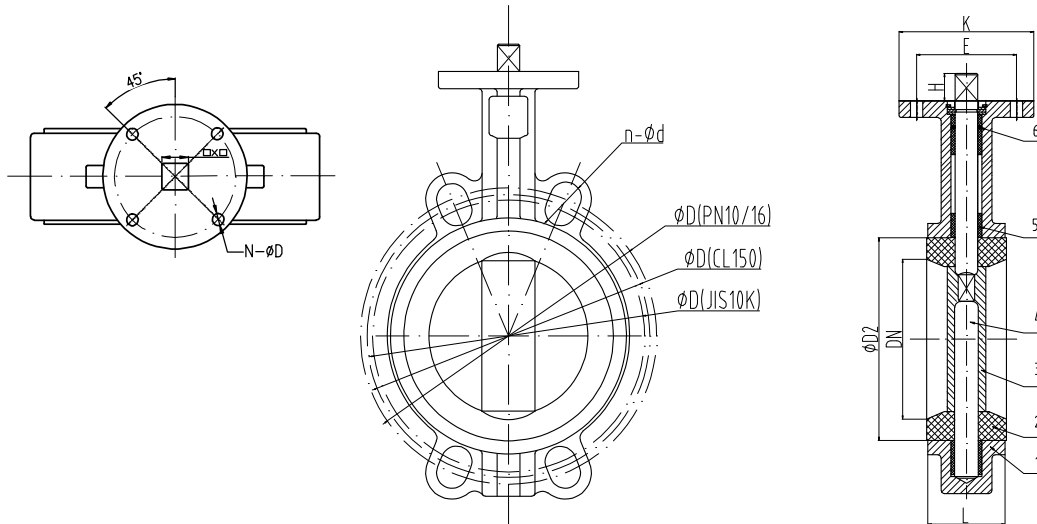
PERFORMANCE RATING

Max Operating Pressure: 200 psi (13.8 bar)
temperature Range: -20°F to 250°F Intermittent, 225°F Continuous (-29° C to 107° C)

FLANGED TYPE UNIVERSAL

EN1092-2 PN10/PN16/PN25, ANSI B16.1 Class125, ANSI B16.2 Class250, BS10 Table D/E, JIS 10K/16K.





BTV series Universal Flange Wafer cast iron body. Butterfly valve handle or gear operated
 Butterfly valve dimensions

BTV series Dimensions in CM – Series with ISO5211																	
DN	NSP	L	H	K	E	Ø x Ø	N-ØD	ISO5211	PN10		PN16		CL150		JIS10K		Torque (Nm)
									ØD	n-ØD	ØD	n-ØD	ØD	n-ØD	ØD	n-ØD	
40	1 ½	42	9	54	42	9x9	4-6.5	F04	110	4-19	110	4-19	98.5	4-16	105	4-19	8
50	2	44.5	9	65	50	9x9	4-7.5	F05	125	4-19	125	4-19	120.5	4-19	120	4-19	9
65	2 ½	44.5	9	65	50	9x9	4-7.5	F05	145	4-19	145	4-19	139.5	4-19	140	4-19	12
80	3	51	9	65	50	9x9	4-7.5	F05	160	8-19	160	8-19	152.5	4-19	150	8-19	19
100	4	54.5	11	90	70	11x11	4-10	F07	180	8-19	180	8-19	190.5	8-19	175	8-19	25
125	5	54.5	14	90	70	14x14	4-10	F07	210	8-19	210	8-19	216	8-22	210	8-23	39
150	6	60	14	90	70	14x14	4-10	F07	240	8-23	240	8-23	241.5	8-22	240	8-23	58
200	8	66	17	125	102	17x17	4-12	F10	295	8-23	295	12-23	298.5	8-22	290	12-23	71
250	10	76	22	125	102	22x22	4-12	F10	350	12-23	355	12-27	362	12-25	355	12-25	134
300	12	76	22	125	102	22x22	4-12	F10	400	12-23	410	12-27	432	12-25	400	16-25	199
350	14	76	22	125	102	22x22	4-12	F10	460	16-23	470	16-27	476	12-29			305
400	16	101	27	175	140	27x27	4-18	F14	515	16-27	525	16-30	539.5	16-29			431
450	18	112	27	175	140	27x27	4-18	F14	565	20-27	585	20-30	578	16-32			524
500	20	125	32	175	140	32x32	4-18	F14	620	20-27	650	20-33	635	20-32			595
600	24	152	36	210	165	36x36	4-22	F16	725	20-30	770	20-36	749.5	20-35			791



EASY TO INSTALL TO PNEUMATIC(sirca actuator)
 Double acting pneumatic actuator - DA
 Single acting pneumatic actuator - SA

- Suitable for high duty cycles
- Fast opening and closing times
- Few moving parts: increases operational safety
- Namur design for easy mounting of accessories, as limit switches, (NAMUR) solenoid valves and bus communication systems

Butterfly valves Easy to install **SIRCA** Atcuator

EASY TO INSTALL ELECTRIC ACTUATOR (motorized)

- Intelligent Numerical Control: Intelligently control module is built in the actuator body so that there is no need to mount positioner. Digit setting and adjusting, highly accuracy and self-diagnosis can be realized
- Easy to use Voltege: 110VAC, 220VAC, 380VAC and 24VDC
- Use option to ON/OFF mode Potentiometer controller 4-20ma signal interference (220VAC and 24VDC source)

EPDM Cartridge Style Seat Ethylene propylene rubber

Temperature rated from -20°F to 250°F Intermittent, 225°F Continuous

Typical applications:

- Food Grade EPDM is Standard
- Typically offered for general service and elevated temperatures
- Hot water
- Chilled water
- Glycols • Detergents
- Phosphate esters
- Ketones
- Alcohols
- Low Pressure Steam
- Dilute acids
- Phosphate based hydraulic oils and fluids
- Silicone greases and oils

EPDM is not recommended for any hydrocarbon-based oils, petroleum oils, hydrocarbon-based lubricants, or di-ester based lubricants, or air systems with hydrocarbons.

Butterfly valve torque table

Torques (NM) Valve Differential Pressure(Bar)							Pneumatic Rotary Actuator SIRCA			
DN	□×□	3.4 bar	7 bar	10.3bar	12bar	ISO5211	Model	Torques (NM) 5bar	ISO5211 STD	ISO5211 SPECIAL
40	9x9	9	9	9	9	F04	AP01	14.8	F03/F05	F04
50	9x9	10	10	11	11	F05	AP01	14.8	F03/F05	F04
65	9x9	13	13	14	14	F05	AP01	14.8	F05	F04
80	9x9	20	22	23	24	F05	AP02	23.5	F04/F05	F04
100	11x11	27	29	31	32	F07	AP03	50	F05/F07	F04
125	14x14	41	44	47	50	F07	AP3.5	85	F07	F05
150	14x14	63	70	75	79	F07	AP3.5	85	F07	F05
200	17x17	80	90	100	105	F10	AP4	119	F07/F10	F05
250	22x22	152	170	190	200	F10	AP4.5	218	F10	F07
300	22x22	228	258	288	305	F10	AP5	278	F10	F07/F12
350	22x22	351	400	445	480	F10	AP5.5	394.1	F12	F10
400	27x27	508	585	666	-	F14	AP6	567	F12	F10
450	27x27	657	795	955	-	F14	AP8	1064	F14	F12
500	32x32	798	1100	1300	-	F14	AP8	1064	F14	F12
600	36x36	1058	1425	1650	-	F16	AP10	2695	F16	F14

